

PRODUCT SPECIFICATIONS

Elkay Crosstown® 16 Gauge Stainless Steel, 30-3/4" x 18-1/2" x 10" Equal Double Bowl Undermount Sink Kit with Faucet. Sink is manufactured from 16 gauge 304 Stainless Steel with a Polished Satin finish, Rear Center drain placement, and Full spray sides and bottom with Sides and Bottom pads.

Installation Type:	Sink Kits, Undermount
Material:	304 Stainless Steel
Finish:	Polished Satin
Gauge:	16
Sound Deadening:	Full spray sides and bottom with Sides and Bottom pads
Number of Bowls:	2
Sink Dimensions:	30-3/4" x 18-1/2" x 10"
Bowl 1 Dimensions:	13-1/2" x 16" x 10"
Bowl 2 Dimensions:	13-1/2" x 16" x 10"
Drain Size:	3-1/2" (89mm)
Drain Location:	Rear Center
Minimum Cabinet Size:	36"
Mounting Hardware:	Part # 54300008 included
Template Included:	Yes
Cutout Template #:	1000001303

Template is available for download at elkay.com. CAD software will be required to open the template.



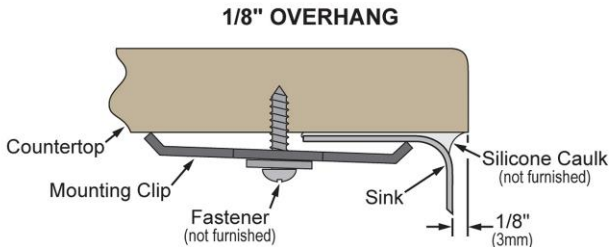
Included with Product: LKAV2061CR faucet, two CTXBG1214 bottom grids, two LKDD drains, Bar Keeper's Friend cleanser, microfiber towel

A Century of Tradition and Quality.

For more than 100 years, Elkay has been making innovative products and providing exceptional customer care. We take pride in offering plumbing products that make life easier, inspire change and leave the world a better place.

Product Compliance: ASME A112.19.3/CSA B45.4
Faucet: ADA & ICC A117.1
 ASME A112.18.1/CSA B125.1
 CEC
 NSF 372 (lead free)
 NSF 61
Accessory: ASME A112.18.2/CSA B125.2

Installation Profile:



Designed to affix to the underside of any solid surface countertop.






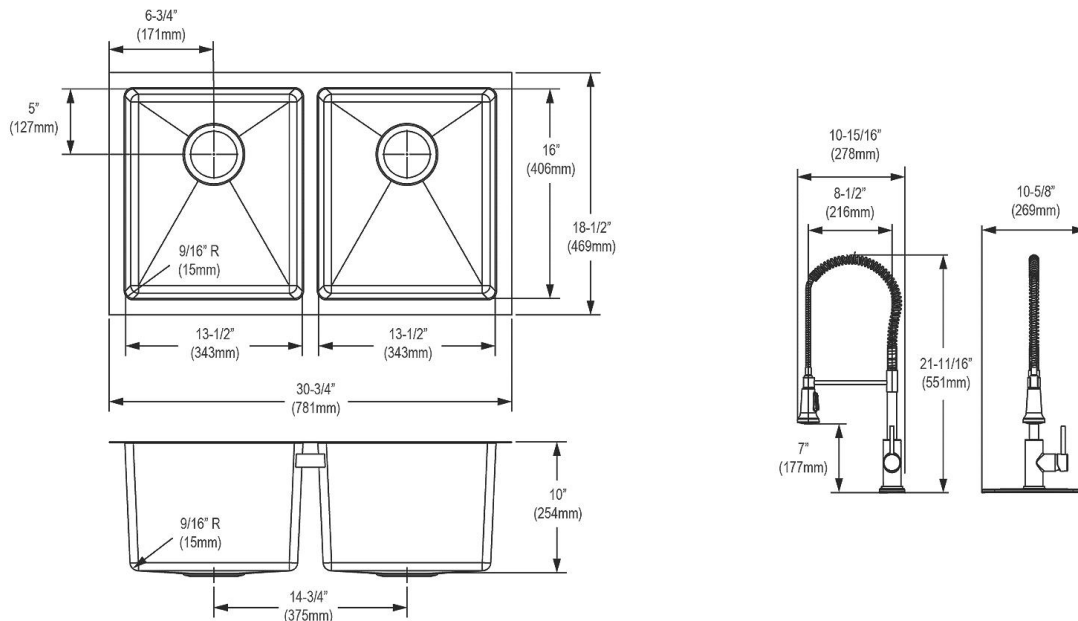
Faucet complies with ADA & ICC A117.1 accessibility requirements when installed according to the requirements outlined in these standards.


[Clean and Care Manual \(PDF\)](#)
[Installation Instructions \(PDF\) - 1000005239](#)
[Warranty \(PDF\)](#)

PART: _____ QTY: _____
 PROJECT: _____
 CONTACT: _____
 DATE: _____
 NOTES: _____
 APPROVAL: _____

In keeping with our policy of continuing product improvement, Elkay reserves the right to change product specifications without notice. Please visit elkay.com for the most current version of Elkay product specification sheets. This specification describes an Elkay product with design, quality, and functional benefits to the user. When making a comparison of other producers' offerings, be certain these features are not overlooked.

Included Accessories		
CTXBG1214	Elkay Crosstown Stainless Steel 11-7/8" x 14-3/8" x 1-1/4" Bottom Grid Spec Sheet (PDF)	
LKAV2061CR	Elkay Avado Single Hole Kitchen Faucet with Semi-professional Spout and Lever Handle Chrome Spec Sheet (PDF)	
LKDD	Elkay 3-1/2" Drain Fitting Deep Strainer Basket Spec Sheet (PDF)	



Optional Accessories		
LKCBF1316HW	Elkay Hardwood 13-1/4" x 16-7/8" x 1" Cutting Board Spec Sheet (PDF)	

In keeping with our policy of continuing product improvement, Elkay reserves the right to change product specifications without notice. Please visit elkay.com for the most current version of Elkay product specification sheets. This specification describes an Elkay product with design, quality, and functional benefits to the user. When making a comparison of other producers' offerings, be certain these features are not overlooked.